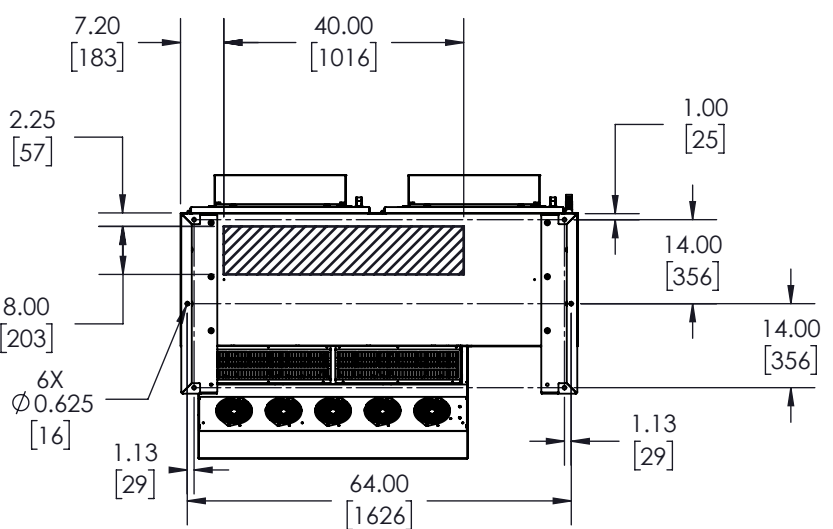


NOTICE:

- WHEN MOUNTING ENCLOSURE, PROVIDE REAR ACCESS FOR SERVICING REAR EXHAUST HOOD FANS.

NOTES:

- FOR REFERENCE ONLY UNLESS PROPERLY ENDORSED. FOR ADDITIONAL DETAILS AND SPECIFICATIONS, CONSULT FACTORY.
- DIMENSIONS ARE IN INCHES[MILLIMETERS]
- USE APPROPRIATE TYPE RATED HUBS OR FITTINGS TO MAINTAIN ENCLOSURE RATING.
- HATCHED AREA INDICATES PERMISSIBLE CONDUIT ENTRANCE AREA.
- FANS, FILTERS, OR CLOSING PLATES ARE SUPPLIED WHEN OPTION MIX NECESSITATES.



david\_dahlman Friday, June 15, 2018 11:17:51 AM



DRAWN: D. Dahlman	DATE 06/14/2018
CHECKED: D. Guckenberger	DATE 06/15/2018
TECH:	DATE

TITLE: DIMENSION DRAWING, U1000 IQPUMP, 3R, F2 HI HP		
MATERIAL#		
SIZE A	REVISION 00	PAGE 1 OF 1

THIS DOCUMENT AND INFORMATION CONTAINED IN IT ARE CONFIDENTIAL, AND CANNOT BE COPIED OR DISCLOSED IN WHOLE OR IN PART WITHOUT THE EXPRESS WRITTEN CONSENT OF YASKAWA AMERICA INC.

APPROVED: P. Johnson	DATE 06/15/2018
ORIGINAL DESIGN: D. Dahlman	DATE 06/14/2018

DRAWING #: DD.Q1E.3R.F2.03		
-------------------------------	--	--

REVISIONS				
REV.	DESCRIPTION	ECR#	DRAWN BY	DATE
00	INITIAL RELEASE	----	DSD	6/15/2018